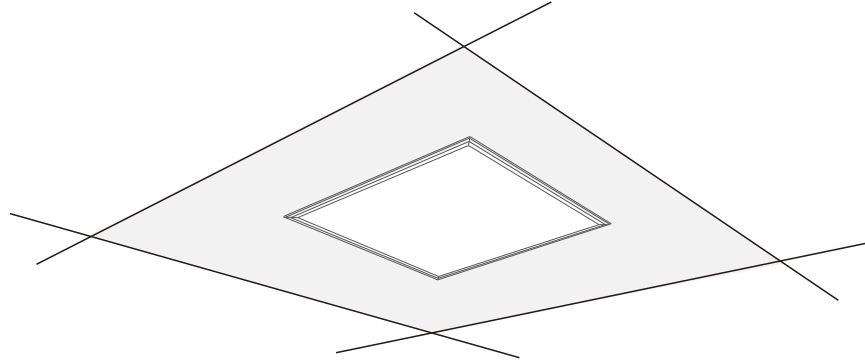


RECESSED CUT HOLE CEILING



BEFORE YOU BEGIN

Read these instructions completely and carefully.

⚠ WARNING/AVERTISSEMENT

RISK OF ELECTRIC SHOCK

- Turn power off before inspection, installation or removal.
- Properly ground electrical enclosure.

RISK OF FIRE

- Follow all NEC and local codes.
- Use only UL or IEC approved wire for input/output connections. Minimum size 18 AWG (0.75mm²).

RISQUES DE DÉCHARGES ÉLECTRIQUES

- Coupez l'alimentation avant d'inspecter, installer ou déplacer le luminaire.
- Assurez-vous de correctement mettre à la terre le boîtier d'alimentation électrique.

RISQUES D'INCENDIE

- Respectez tous les codes NEC et codes locaux.
- N'utilisez que des fils approuvés par UL ou IEC pour les entrées/sorties de connexion. Taille minimum 18 AWG (0.75mm²).

Prepare Electrical Wiring

Refer to **LED Panel Specification** for more lamp
electronical data info.



Electrical Requirements

- The LED luminaire must be connected to the mains supply according to its ratings on the product label.



Grounding Instructions

- The grounding and bonding of the overall system shall be done in accordance to local electric code of the country where the luminaire is installed.

Save These Instructions

Use only in the manner intended by the manufacturer.
If you have any questions, contact the manufacturer.

⚠ CAUTION

Do not perforate the integrity of the luminaire. Only screw into the threaded mounting bracket holes located at the four corners of the fixture.

⚠ WARNING/AVERTISSEMENT

Risk of Fire. Do not install insulation within 3 inches (76 mm) of luminaire top.
Risques d'incendie. Ne pas installer d'isolation à moins de 76 mm (3 pouces) au-dessus du luminaire.

Storage Info

Environmental Operating Temperature Range

-10°C to +40°C

Environmental Rating

Dry or damp location rated

Environmental Storage Temperature Range


-40°C to +60°C



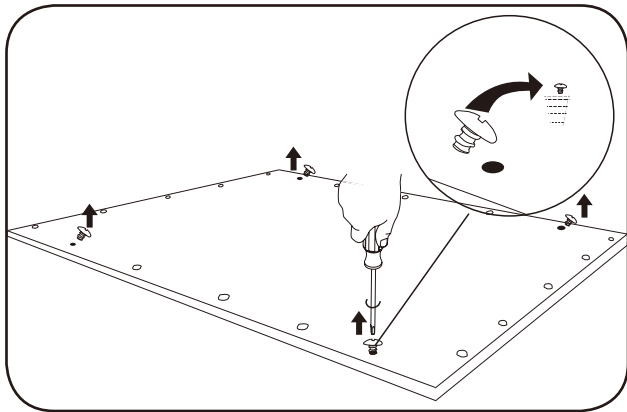
Lights Up Art Life

www.lightman-led.com | info@lightman-led.com

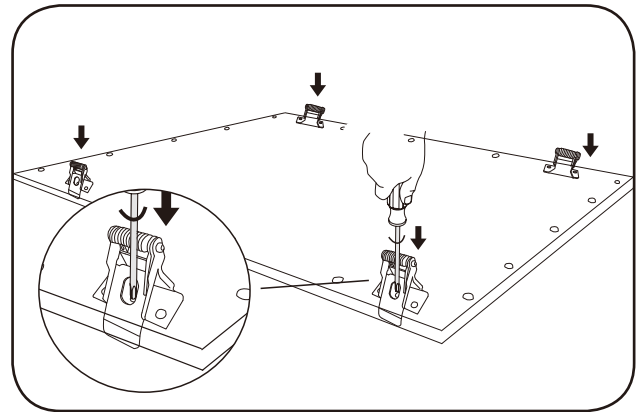
RECESSED IN A CUT-OUT HOLE EXTRA KITS

Accessories	3030	3060	6060	6262	30120	60120
		X 4			X 6	

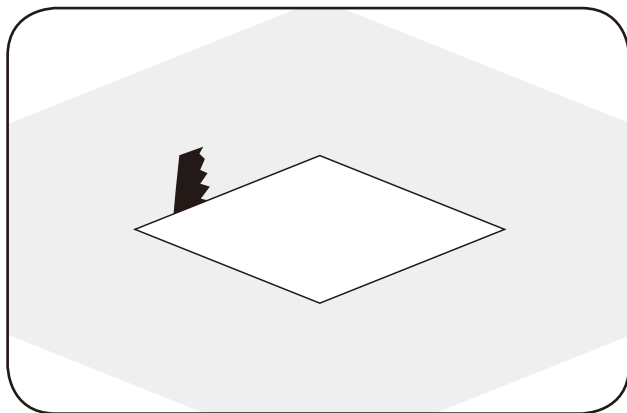
RECESSED IN A CUT-OUT HOLE INSTALLATION STEPS



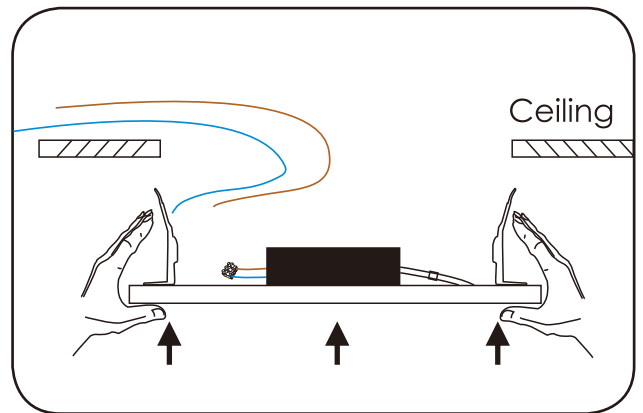
- 1** Unscrew the highlighted screws from the four corners of the Panel.



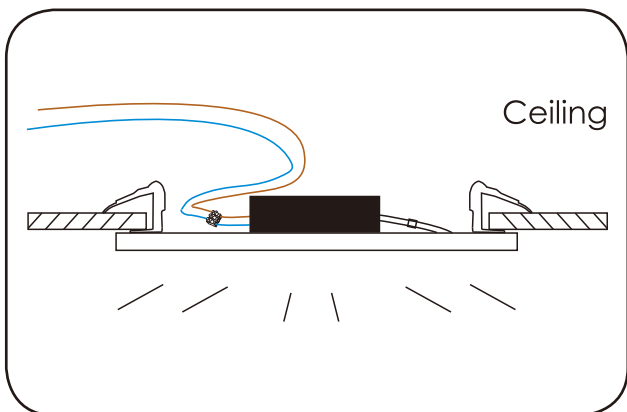
- 2** Place the springs in position and reinstall the four screws. (the screws must be inserted through the center hole of the clip as illustrated above).



- 3** Cut a square hole in the ceiling 10mm smaller than the LED Panel.



- 4** Connect the LED Driver to AC mains power. Push the Panel into the ceiling cavity with the springs raised.



- 5** Complete installation.